



1. Feature

- ▶ High Performance
- ▶ High Reliability
- ▶ RoHS Compliant

Directional Coupler

Part No: CDC00500M18000A20

Date: July.16th.2018

Revision No: A1

2. Electrical Specifications

Parameter	Specification	Remark
Frequency Range	500-18000MHz	
Nominal Coupling	20±1dB	
Coupling Sensitivity	≤±1.0dB	
Insertion Loss	≤1.2dB	
VSWR	≤1.60	
Directivity	≥10dB	
Forward Power	50W	
Impedance	50Ω	

3. Mechanical Specifications

Parameter	Specifications	Remark
Dimensions	113.0x15.0x11.0mm	
Connector Type	SMA- Female	
Surface Finish	Grey Painting	

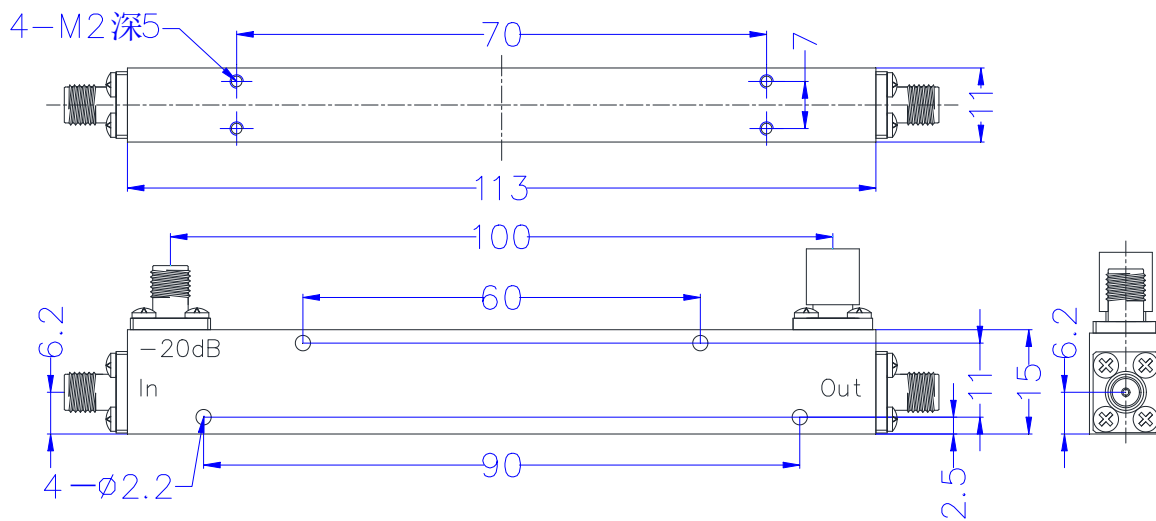
4. Temperature Specifications

Parameter	Specifications	Remark
Operational Temperature	-40 to +80 °C	
Storage Temperature	-55 to +85 °C	

5. Outline Drawing ($\pm 0.3\text{mm}$)



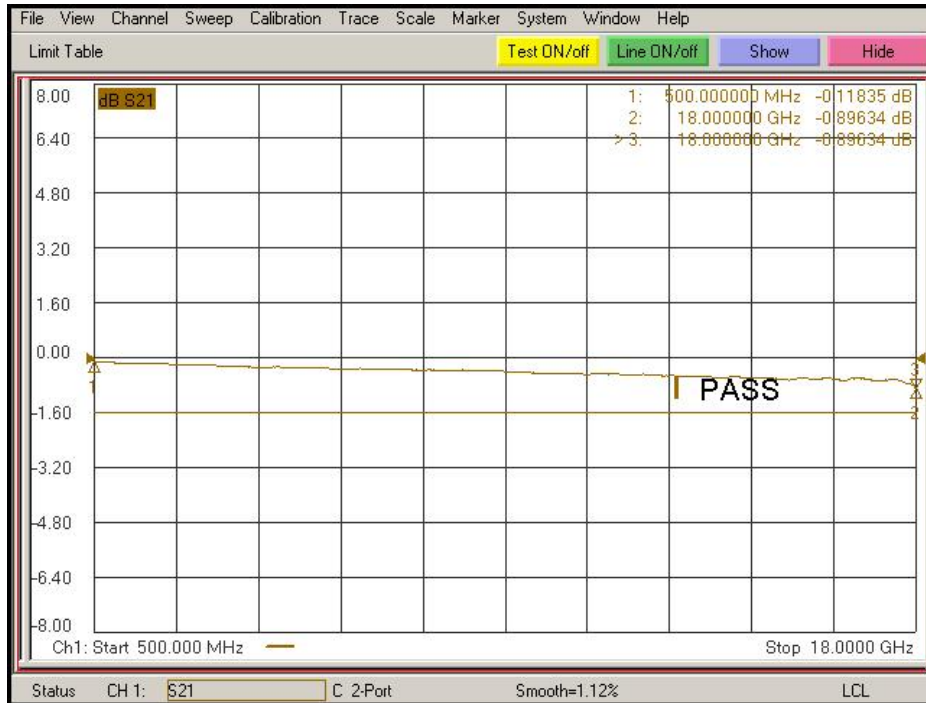
CONCEPT



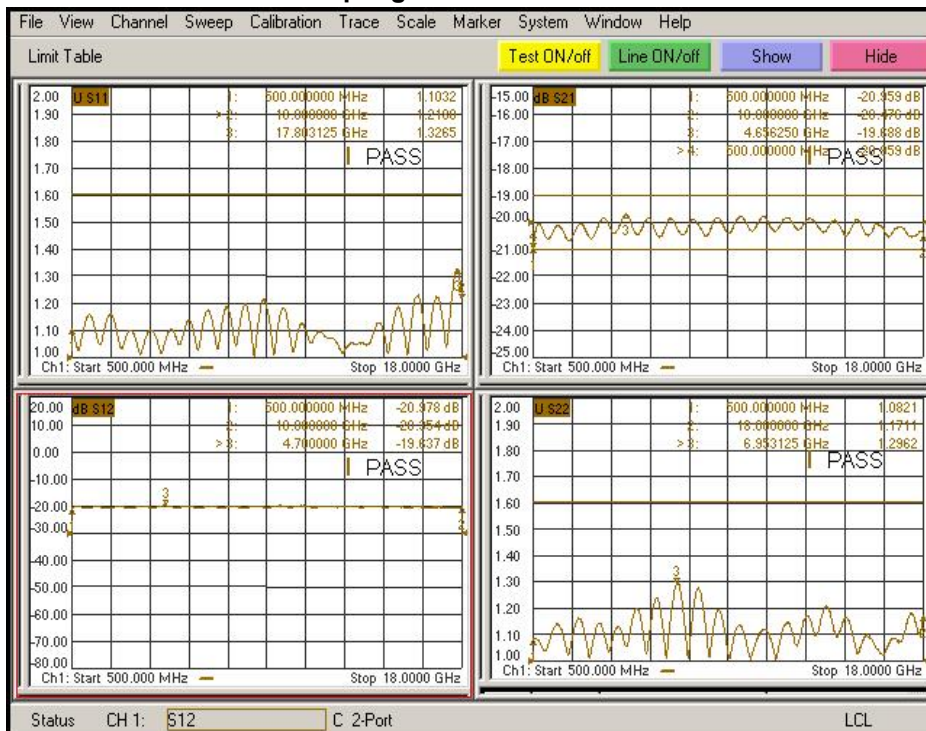
6. Test Curves



Insertion Loss



Coupling Flatness and VSWR





Directivity

