



## 1. Feature

- ▶ High Performance
- ▶ High Reliability
- ▶ RoHS Compliant

Directional Coupler

Part No: CDC06000M40000A20

Date: Oct.15<sup>th</sup>.2018

Revision No: Preliminary

## 2. Electrical Specifications

Parameter	Specification	Remark
Frequency Range	6000-40000MHz	
Nominal Coupling	20±1.0dB	
Coupling Sensitivity	±1.0dB	
Insertion loss	≤1.20dB	
VSWR	≤1.60	
Directivity	≥10dB	
Forward Power	20W	
Impedance	50Ω	

## 3. Mechanical Specifications

Parameter	Specifications	Remark
Dimensions	28.0x15.0x11.0mm	
Connector Type	2.92-female	
Surface Finish	Grey Painting	

## 4. Temperature Specifications

Parameter	Specifications	Remark
Operational Temperature	-40 to +80 °C	
Storage Temperature	-55 to +85 °C	

*Professional manufacturer of  
passive microwave components*

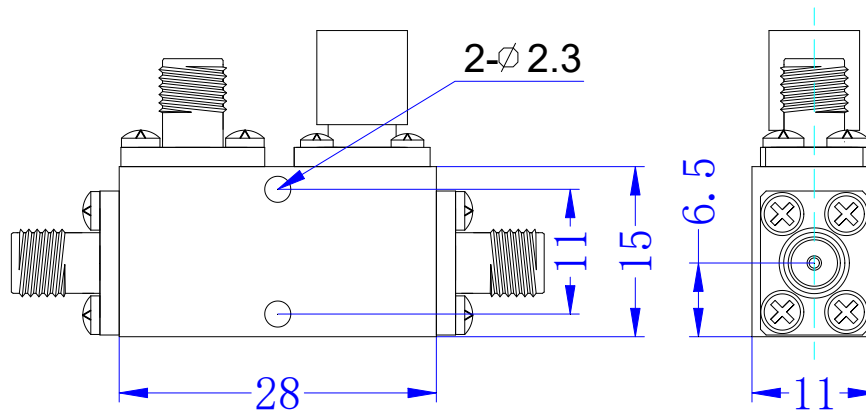
DN: CN0698-Oct./15th/2018

Technical Specifications



**CONCEPT**

**5. Outline Drawing ( $\pm 0.3\text{mm}$ )**



成都康普信源科技有限公司

Chengdu Concept Microwave Technology CO.,Ltd

No.666 ,Jinfenghuang Road , CREC Industrial Park , Jinniu District , Chengdu , China

E-mail: [sales@concept-mw.com](mailto:sales@concept-mw.com)

<http://www.concept-mw.com>

Page 2 of 2