

## 1. Feature

- ▶ High Performance
- ▶ High Reliability
- ▶ RoHS Compliant

Notch Filter

Part No: CNF01695M01710N01

Date: Feb.10<sup>th</sup>.2019

Revision No: Preliminary

## 2. Electrical Specifications

Parameter	Specification	Remark
Notch Band	1695-1710MHz	
Rejection	≥80dB	
Passband	DC-1685MHz & 1720-5000MHz	
Insertion loss	≤2.5dB	
VSWR	≤2.0	
Average Power	≤10W	
Impedance	50Ω	

## 3. Mechanical Specifications

Parameter	Specifications	Remark
Dimensions	134.0 x 56.0 x 45.0 mm ( Not including the tuning screws and connectors )	
Connector Type	N-female	
Surface Finish	Black Painting	

## 4. Temperature Specifications

Parameter	Specifications	Remark
Operational Temperature	0 to +60 °C	
Storage Temperature	-55 to +85 °C	

*Professional manufacturer of  
passive microwave components*

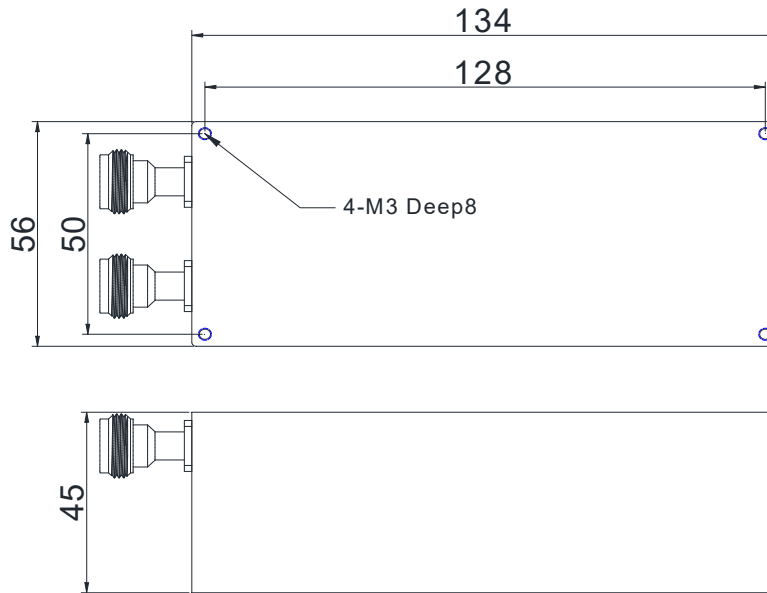
DN: CN0064-Feb./10th/2019

Technical Specifications

**5.Outline Drawing ( $\pm 0.5\text{mm}$ )**



**CONCEPT**



## 6. Test Curve

