



## 1. Feature

- ▶ High Performance
- ▶ High Reliability
- ▶ RoHS Compliant

**Notch Filter**

**Part No: CNF01805M01880N01**

**Date: Feb.24<sup>th</sup>.2020**

**Revision No: Preliminary**

## 2. Electrical Specifications

Parameter	Specification	Remark
Notch Band	1805-1880MHz	
Rejection	≥60dB	
Passband	DC-1785Hz & 1900-6000MHz	
Insertion loss	≤2.0dB	
VSWR	≤2.0	
Average Power	≤100W	
Impedance	50Ω	

## 3. Mechanical Specifications

Parameter	Specifications	Remark
Dimensions	134.0 x 56.0 x 45.0 mm ( Not including the tuning screws and connectors )	
Connector Type	N-female	
Surface Finish	Black Painting	

## 4. Temperature Specifications

Parameter	Specifications	Remark
Operational Temperature	0 to +60 °C	
Storage Temperature	-55 to +85 °C	

*Professional manufacturer of  
passive microwave components*

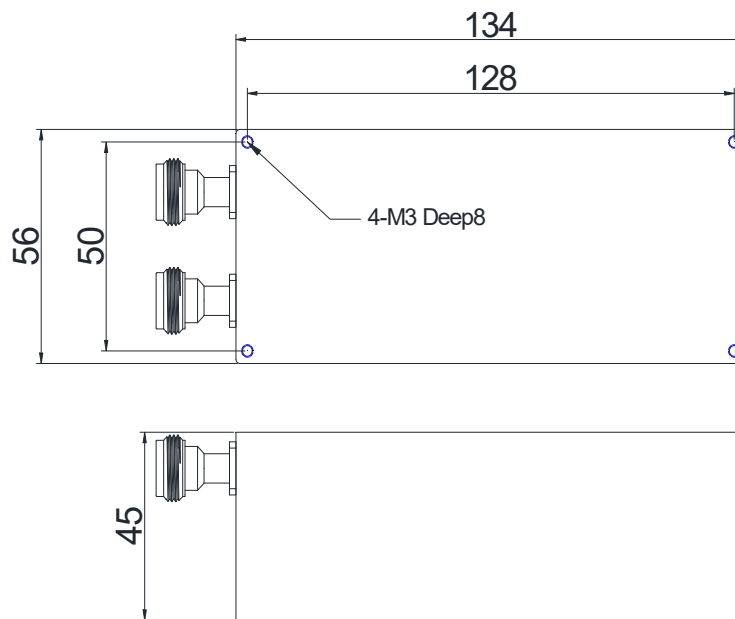
DN: CN0051-Feb./24th/2020

Technical Specifications

## 5. Outline Drawing ( $\pm 0.5\text{mm}$ )



**CONCEPT**



## 6. Test Curve

