

## 1. Feature

- ▶ High Performance
- ▶ High Reliability
- ▶ RoHS Compliant

**Notch Filter**

**Part No: CNF02110M02170N01**

**Date: Feb.24<sup>th</sup>.2020**

**Revision No: Preliminary**

## 2. Electrical Specifications

Parameter	Specification	Remark
Notch Band	2110-2170MHz	
Rejection	≥60dB	
Passband	DC-2090MHz & 2190-6000MHz	
Insertion loss	≤2.0dB	
VSWR	≤2.0	
Average Power	≤100W	
Impedance	50Ω	

## 3. Mechanical Specifications

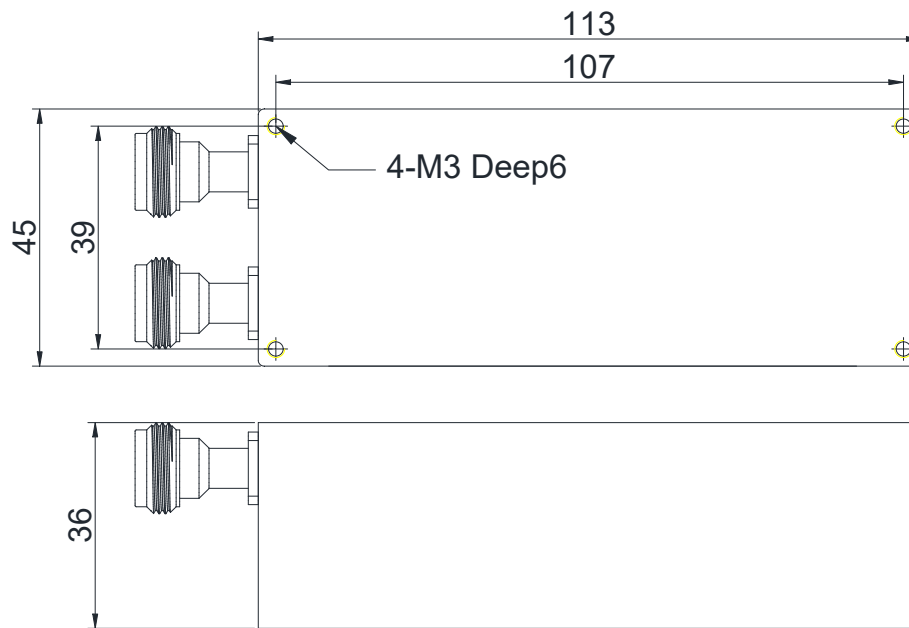
Parameter	Specifications	Remark
Dimensions	113.0 x 45.0 x 36.0 mm ( Not including the tuning screws and connectors )	
Connector Type	N-female	
Surface Finish	Black Painting	

## 4. Temperature Specifications

Parameter	Specifications	Remark
Operational Temperature	-0 to +60 °C	
Storage Temperature	-55 to +85 °C	



**5. Outline Drawing ( $\pm 0.5\text{mm}$ )**



## 6. Test Curve



**CONCEPT**

