



## 1. Feature

- ▶ High Performance
- ▶ High Reliability
- ▶ RoHS Compliant

Notch Filter

Part No: CNF04400M05000A04

Date: Feb.10<sup>th</sup>.2019

Revision No: Preliminary

## 2. Electrical Specifications

Parameter	Specification	Remark
Notch Band	4400-5000MHz	
Rejection	≥80dB	
Passband	DC-4340MHz & 5060-8000MHz	
Insertion loss	DC-4300MHz≤3.0dB 4300-4340MHz≤5.0dB	5060-5100MHz≤5.0dB 5100-8000MHz≤3.0dB
VSWR	≤2.5	
Average Power	≤10W	
Impedance	50Ω	

## 3. Mechanical Specifications

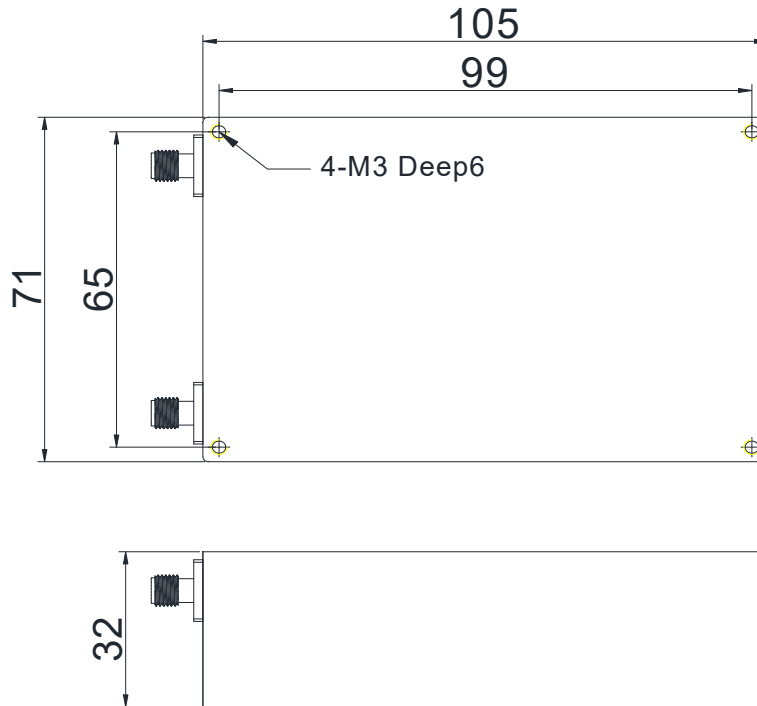
Parameter	Specifications	Remark
Dimensions	105.0 x 71.0 x 32.0 mm ( Not including the tuning screws and connectors )	
Connector Type	SMA-female	
Surface Finish	Black Painting	

## 4. Temperature Specifications

Parameter	Specifications	Remark
Operational Temperature	0 to 60 °C	
Storage Temperature	-55 to +85 °C	



**5.Outline Drawing ( $\pm 0.3\text{mm}$ )**



6.Test Curves

