

*Professional manufacturer of  
passive microwave components*

DN: CN0202-June./29th/2023

Technical Specifications

## 1. Feature

- ▶ High Performance
- ▶ High Reliability
- ▶ RoHS Compliant

**Triplexer**

**Part No: CBC00400M01500A03**

**Date: June.29th.2023**

**Revision No: Preliminary**

## 2. Electrical Specifications

Parameter		Minimum	Typical	Maximum	Units
Passband Frequency	CH1	399	-	401	MHz
	CH2	432	-	434	MHz
	CH3	900	-	2100	MHz
Insertion Loss	CH1	-	-	1.0	dB
	CH2	-	-	1.0	dB
	CH3	-	-	1.0	dB
Return Loss	CH1	14	-		dB
	CH2	14			dB
	CH3	12			dB
Isolation		80			dB
Impedance		-	50	-	$\Omega$
Power		-	-	30	W cw

## 3. Environmental Specifications

Parameter	Specifications	Remark
Operating Temperature	0°C to +60°C	
Storage Temperature	-45°C to +85°C	
Application Environment	Indoor type	

## 4. Mechanical Specifications

Parameter	Specifications	Remark
Dimensions	148.0x95.0x62.0mm	
Connector Type	SMA-female	
Surface Finish	Black Painting	

Chengdu Concept Microwave Technology CO.,Ltd

No.86 ,Rongtai Road, Haixia Industrial Park , Wenjiang District , Chengdu City, China

E-mail: [sales@concept-mw.com](mailto:sales@concept-mw.com)

<http://www.concepts-rf.com>

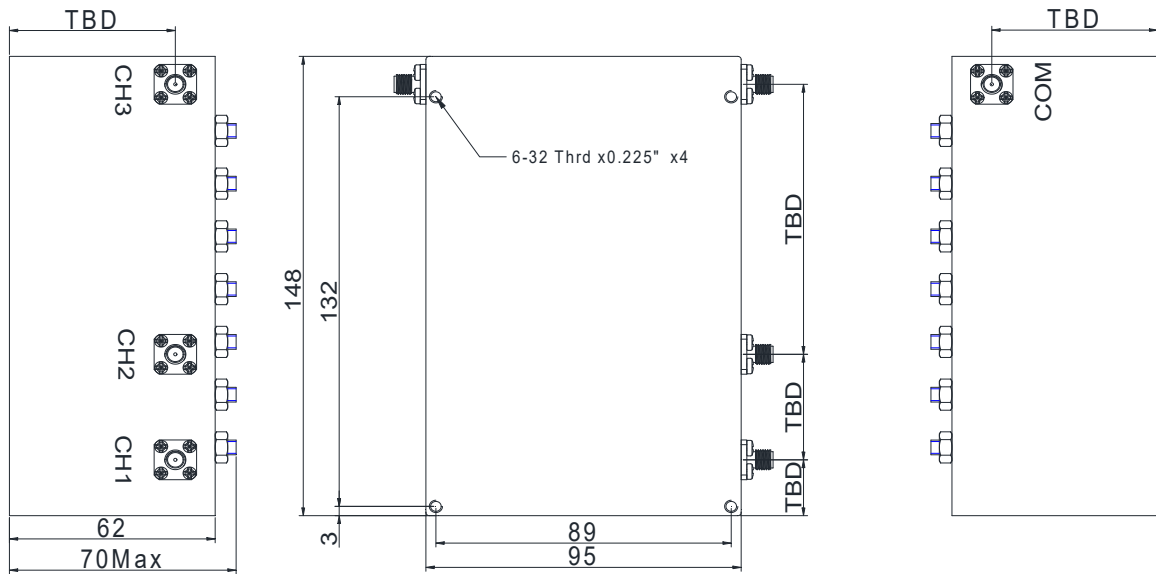
Page 1 of 4

**Professional manufacturer of  
passive microwave components**

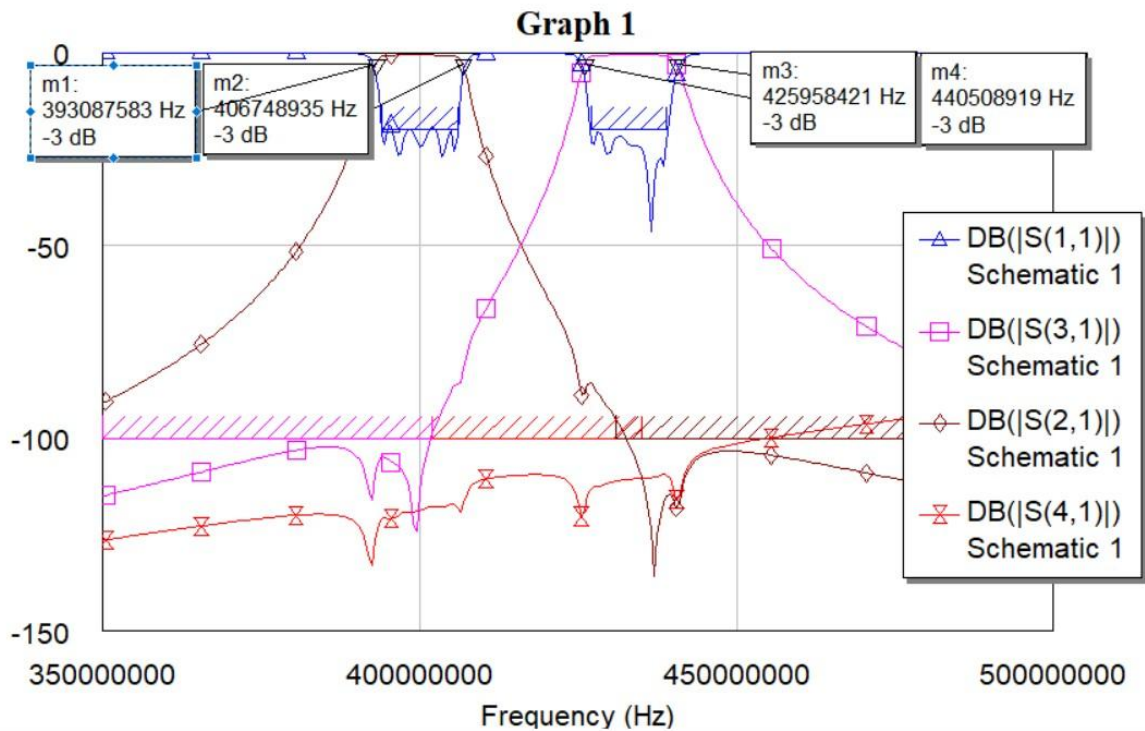
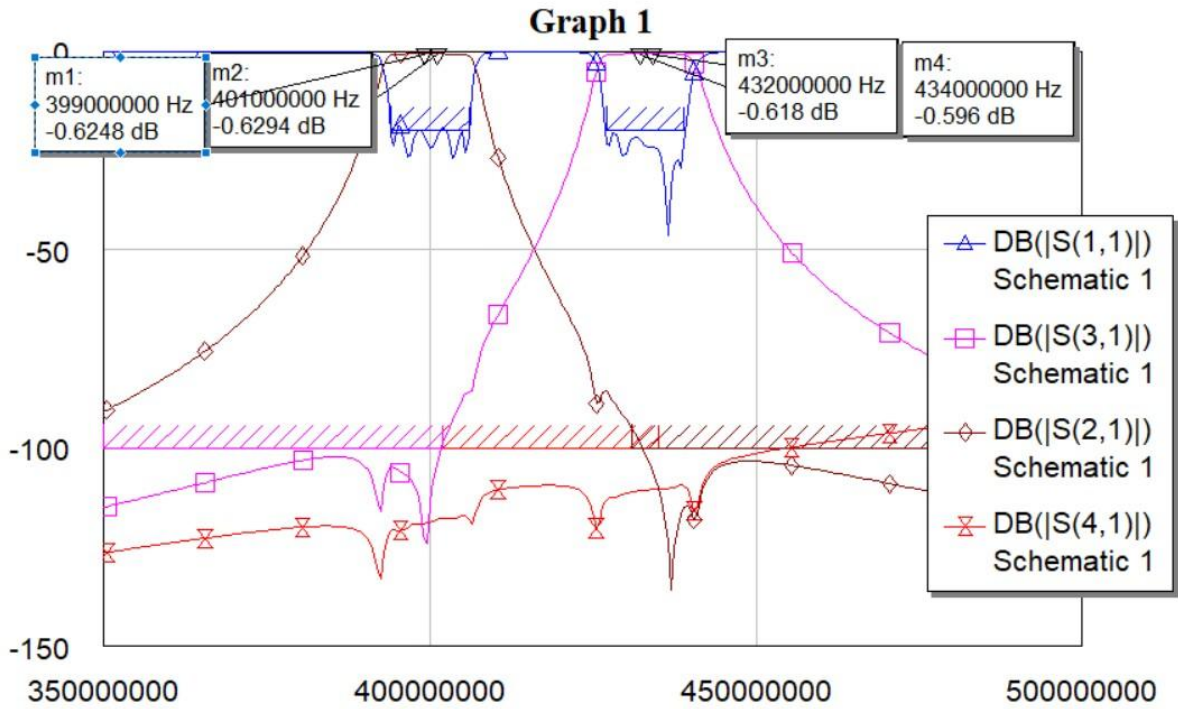
DN: CN0202-June./29th/2023

Technical Specifications

**5. Outline Drawing ( $\pm 0.5\text{mm}$ )**



**6. Simulation Curves**



*Professional manufacturer of  
passive microwave components*

DN: CN0202-June./29th/2023

Technical Specifications

