



1. Feature

- ▶ High Performance
- ▶ High Reliability
- ▶ RoHS Compliant

Bandpass Filter

Part No: CBF00515M000625A01

Date: Dec.19th.2023

Revision No: Preliminary

2. Electrical Specifications

Parameter	Specification	Remark
Pass Band	515-625MHz	
Rejection Band	≥35dB@DC~500MHz ≥20dB@640~1000MHz	
Insertion Loss	≤4.0dB	
Ripple	≤1.0dB	
Return Loss	≥14dB	
Average Power	20W	
Impedance	50Ω	

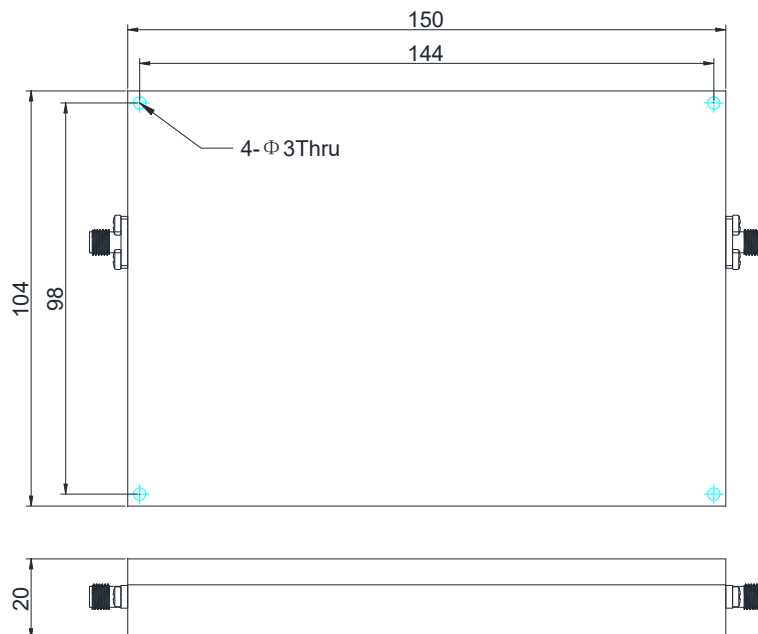
3. Mechanical Specifications

Parameter	Specifications	Remark
Dimensions	150.0 x 104.0 x 20.0mm (Not including the tuning screws and connectors)	
Connector Type	SMA-female	
Surface Finish	Black Painting	

4. Temperature Specifications

Parameter	Specifications	Remark
Operational Temperature	-20 to +60 °C	
Storage Temperature	-45 to +85 °C	

5.Outline Drawing ($\pm 0.5\text{mm}$)



6.Test Curve

