



## 1. Feature

- ▶ High Performance
- ▶ High Reliability
- ▶ RoHS Compliant

**Bandpass Filter**

**Part No: CBF00936M00942A01**

**Date: Sep.22<sup>th</sup>.2023**

**Revision No: Preliminary**

## 2. Electrical Specifications

Parameter	Specification	Remark
Pass Band	936-942MHz	
Rejection	≥40dB@DC-934MHz ≥40dB@945-2500MHz	
Insertion loss	≤3.0dB	
VSWR	≤1.40	
Average Power	30W CW	
Impedance	50Ω	

## 3. Mechanical Specifications

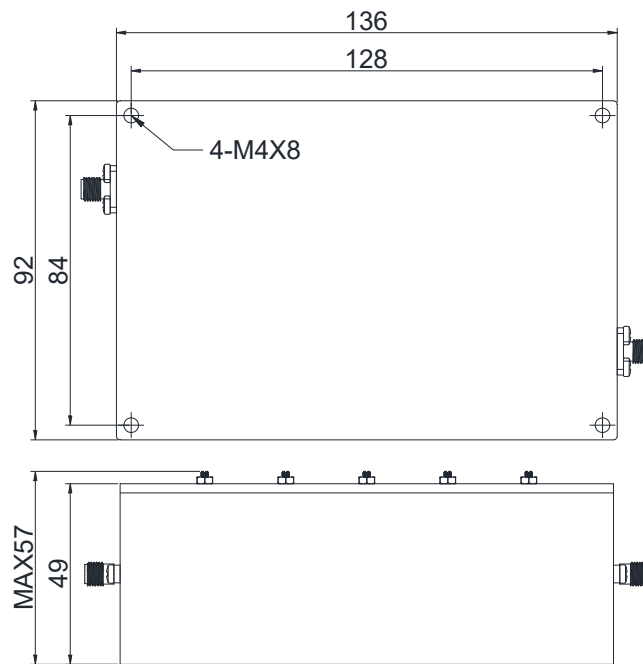
Parameter	Specifications	Remark
Dimensions	136.0 x 92.0 x 49.0 mm ( Not including the tuning screws and connectors )	
Connector Type	SMA-female	
Surface Finish	Black Painting	

## 4. Temperature Specifications

Parameter	Specifications	Remark
Operational Temperature	0 to +50℃	
Storage Temperature	-55 to +85 ℃	



**5. Outline Drawing ( $\pm 0.5\text{mm}$ )**



6. Test Curve

