



## 1. Feature

- ▶ High Performance
- ▶ High Reliability
- ▶ RoHS Compliant

Directional Coupler

Part No: CDC00500M18000A10

Date: July.16<sup>th</sup>.2018

Revision No: A1

## 2. Electrical Specifications

Parameter	Specification	Remark
Frequency Range	500-18000MHz	
Nominal Coupling	10±1dB	
Coupling Sensitivity	≤±1.0dB	
Insertion Loss	≤1.20dB ( Exclusive 0.45dB Coupled Loss )	
VSWR	≤1.60	
Directivity	≥10dB	
Forward Power	30W	
Impedance	50Ω	

## 3. Mechanical Specifications

Parameter	Specifications	Remark
Dimensions	113.0x15.0x11.0mm	
Connector Type	SMA- Female	
Surface Finish	Grey Painting	

## 4. Temperature Specifications

Parameter	Specifications	Remark
Operational Temperature	-40 to +80 °C	
Storage Temperature	-55 to +85 °C	

成都康普信源科技有限公司

Chengdu Concept Microwave Technology CO.,Ltd

No.666 ,Jinfenghuang Road , CREC Industrial Park , Jinniu District , Chengdu , China

E-mail: [sales@concept-mw.com](mailto:sales@concept-mw.com)

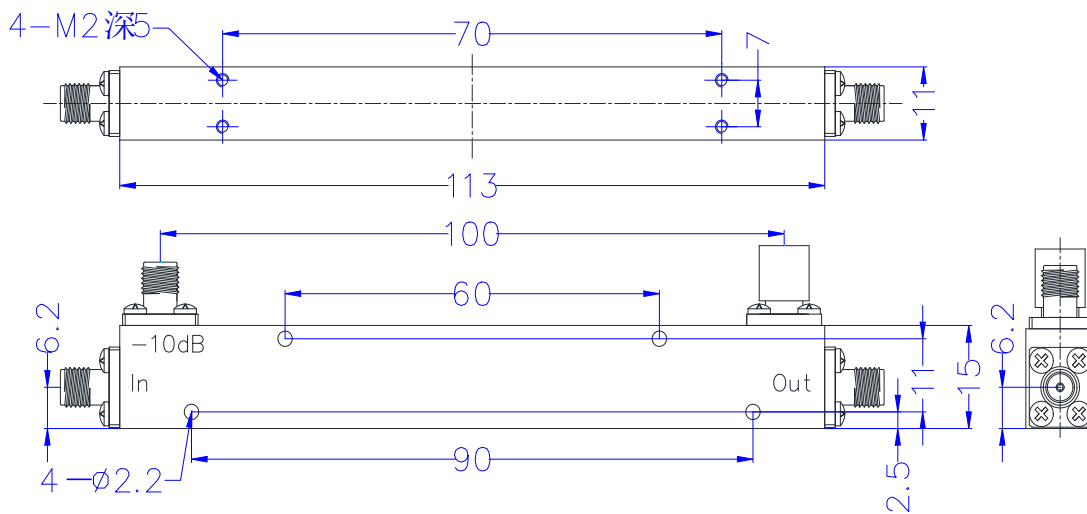
<http://www.concept-mw.com>

Page 1 of 4

5. Outline Drawing ( $\pm 0.3\text{mm}$ )



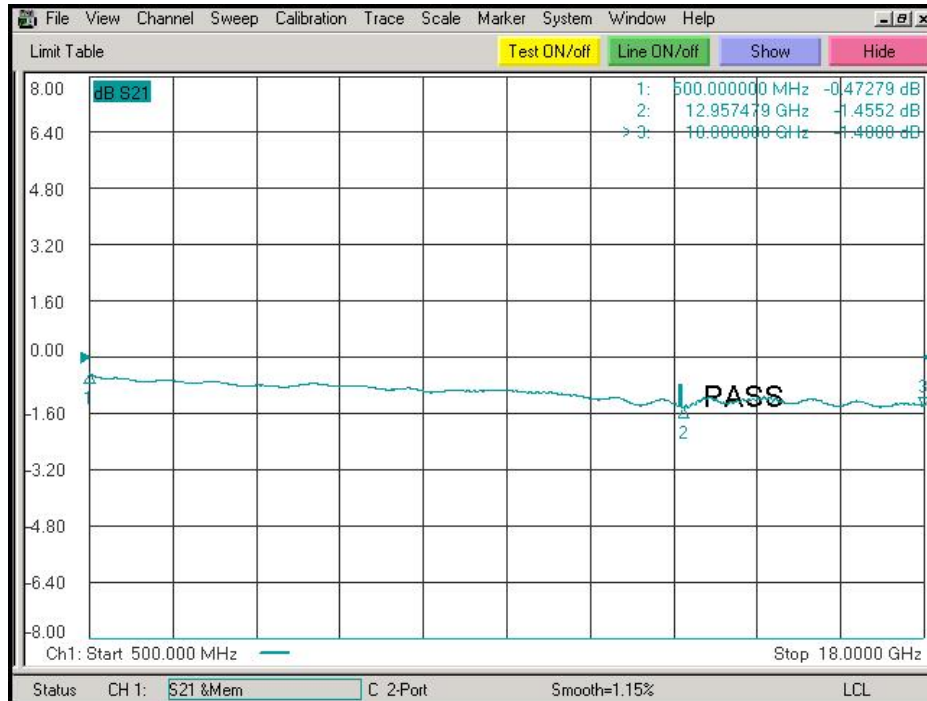
CONCEPT



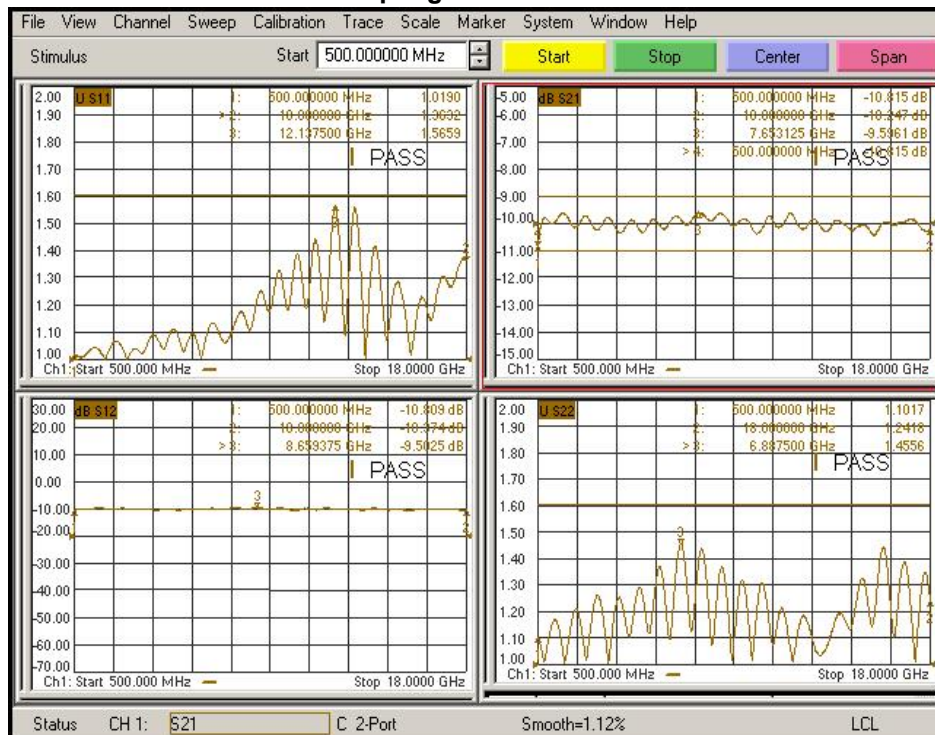
## 6. Test Curves



### Insertion Loss



### Coupling Flatness and VSWR





### Directivity

