



1. Feature

- ▶ High Performance
- ▶ High Reliability
- ▶ RoHS Compliant

Directional Coupler

Part No: CDC27000M32000A06

Date: Dec.16th.2020

Revision No: Preliminary

2. Electrical Specifications

Parameter	Specification	Remark
Frequency Range	27000-32000MHz	
Nominal Coupling	$6 \pm 1.0\text{dB}$	
Coupling Sensitivity	$\leq \pm 0.7\text{dB}$	
Insertion Loss	$\leq 1.20\text{dB}$ (Exclusive the 1.25dB Coupling Loss)	
VSWR	≤ 1.60	
Directivity	$\geq 10\text{dB}$	
Forward Power	10W	
Impedance	50Ω	

3. Mechanical Specifications

Parameter	Specifications	Remark
Dimensions	28.0x15.0x11.0mm	
Connector Type	2.92-female	
Surface Finish	Grey Painting	
Body Material	Aluminium	

4. Temperature Specifications

Parameter	Specifications	Remark
Operational Temperature	-40 to +80 °C	
Storage Temperature	-55 to +85 °C	

成都康普信源科技有限公司

Chengdu Concept Microwave Technology CO.,Ltd

No.666 ,Jinfenghuang Road , CREC Industrial Park , Jinniu District , Chengdu , China

E-mail: sales@concept-mw.com

<http://www.concept-mw.com>

Page 1 of 2

*Professional manufacturer of
passive microwave components*

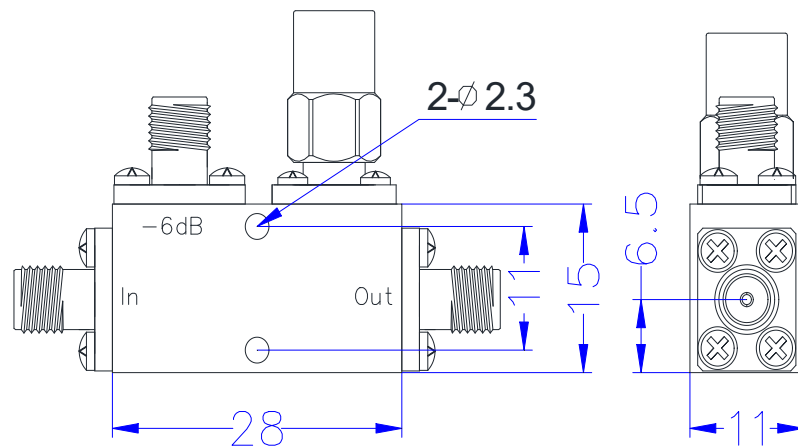
DN: CN0390-Dec./16th/2020

Technical Specifications



CONCEPT

5. Outline Drawing ($\pm 0.3\text{mm}$)



成都康普信源科技有限公司

Chengdu Concept Microwave Technology CO.,Ltd

No.666 ,Jinfenghuang Road , CREC Industrial Park , Jinniu District , Chengdu , China

E-mail: sales@concept-mw.com

<http://www.concept-mw.com>

Page 2 of 2