



1. Feature

- ▶ High Performance
- ▶ High Reliability
- ▶ RoHS Compliant

Highpass Filter

Part No: CHF01200M13000A01

Date: Aug.26th.2019

Revision No: Preliminary

2. Electrical Specifications

Parameter	Specification	Remark
Pass Band	1200-13000MHz	
Rejection	≥40dB@960-1010MHz ≥50dB@DC-960MHz	
Insertion loss	≤2.0dB	
VSWR	≤2.0	
Average Power	≤20W	
Impedance	50Ω	

3. Mechanical Specifications

Parameter	Specifications	Remark
Dimensions	53.0 x 20.0 x 10.0 mm (Not including the tuning screws and connectors)	
Connector Type	SMA-female	
Surface Finish	Black Painting	

4. Temperature Specifications

Parameter	Specifications	Remark
Operational Temperature	-40 to +80 °C	
Storage Temperature	-55 to +85 °C	

*Professional manufacturer of
passive microwave components*

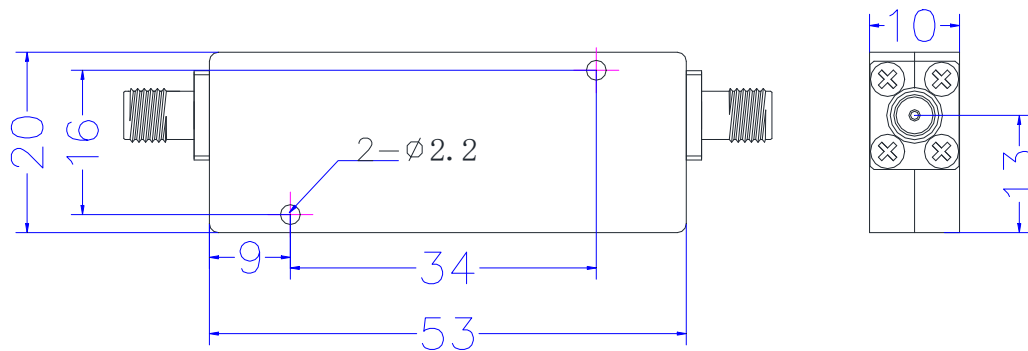
DN: CN0490-Aug./26th/2019

Technical Specifications



CONCEPT

5.Outline Drawing ($\pm 0.5\text{mm}$)



6.Test Curve

