



1. Feature

- ▶ High Performance
- ▶ High Reliability
- ▶ RoHS Compliant

Highpass Filter

Part No: CHF01600M12750A01

Date: Jan.10th.2019

Revision No: Preliminary

2. Electrical Specifications

Parameter	Specification	Remark
Pass Band	1600-12750MHz	
Rejection	≥40dB@DC-1100MHz	
Insertion loss	≤1.5dB	
VSWR	≤1.8	
Average Power	≤30W	
Impedance	50Ω	

3. Mechanical Specifications

Parameter	Specifications	Remark
Dimensions	53.0 x 20.0 x 10.0 mm (Not including the tuning screws and connectors)	
Connector Type	SMA-female	
Surface Finish	Black Painting	

4. Temperature Specifications

Parameter	Specifications	Remark
Operational Temperature	-30 to +70 °C	
Storage Temperature	-55 to +85 °C	

*Professional manufacturer of
passive microwave components*

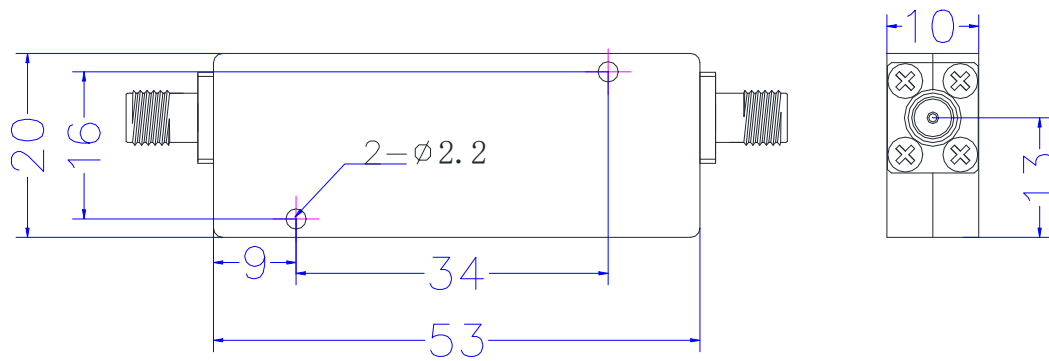
DN: CN0010-Jan./10th/2019

Technical Specifications

5.Outline Drawing ($\pm 0.5\text{mm}$)



CONCEPT



6.Test Curve

