



1. Feature

- ▶ High Performance
- ▶ High Reliability
- ▶ RoHS Compliant

Highpass Filter

Part No: CHF02483M18000A01

Date: Feb.15th.2019

Revision No: Preliminary

2. Electrical Specifications

Parameter	Specification	Remark
Pass Band	2483.5-18000MHz	
Rejection	≥60dB@DC-1664MHz	
Insertion loss	≤2.0dB	
VSWR	≤2.0	
Average Power	≤20W	
Impedance	50Ω	

3. Mechanical Specifications

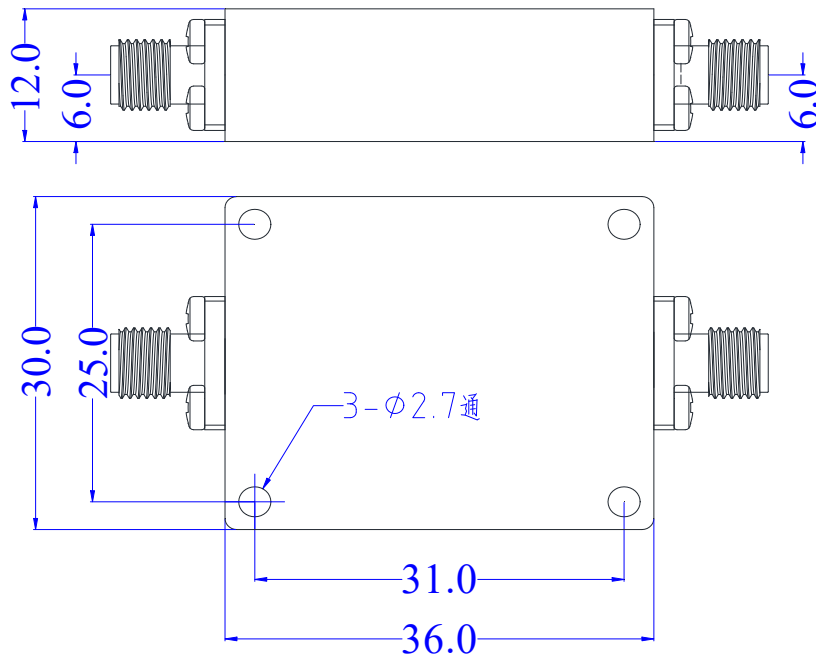
Parameter	Specifications	Remark
Dimensions	36.0 x 30.0 x 12.0 mm (Not including the tuning screws and connectors)	
Connector Type	SMA-female	
Surface Finish	Black Painting	

4. Temperature Specifications

Parameter	Specifications	Remark
Operational Temperature	-40 to +80 °C	
Storage Temperature	-55 to +85 °C	



5.Outline Drawing ($\pm 0.5\text{mm}$)



6.Test Curve

