



1. Feature

- ▶ High Performance
- ▶ High Reliability
- ▶ RoHS Compliant

Highpass Filter

Part No: CHF03000M12750A01

Date: Jan.10th.2019

Revision No: Preliminary

2. Electrical Specifications

Parameter	Specification	Remark
Pass Band	3000-12750MHz	
Rejection	≥40dB@DC-2700MHz	
Insertion loss	≤1.5dB	
VSWR	≤2.0	
Average Power	≤30W	
Impedance	50Ω	

3. Mechanical Specifications

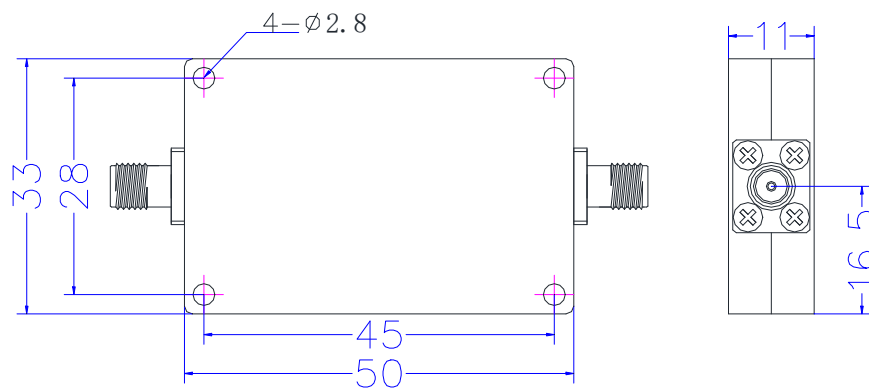
Parameter	Specifications	Remark
Dimensions	50.0 x 33.0 x 11.0 mm (Not including the tuning screws and connectors)	
Connector Type	SMA-female	
Surface Finish	Black Painting	

4. Temperature Specifications

Parameter	Specifications	Remark
Operational Temperature	-30 to +70 °C	
Storage Temperature	-55 to +85 °C	



5.Outline Drawing ($\pm 0.5\text{mm}$)



6.Test Curve

