



## 1. Feature

- ▶ High Performance
- ▶ High Reliability
- ▶ RoHS Compliant

**Highpass Filter**

**Part No: CHF05000M22000A01**

**Date: Aug.11<sup>th</sup>.2020**

**Revision No: Preliminary**

## 2. Electrical Specifications

| Parameter      | Specification                               | Remark |
|----------------|---|--------|
| Pass Band      | 5000-22000MHz                               |        |
| Rejection      | ≥60dB@DC-4480MHz                            |        |
| Insertion loss | ≤2.0dB@5000-5250MHz<br>≤1.0dB@5250-22000MHz |        |
| VSWR           | ≤1.5@5000-20000MHz<br>≤1.7@20000-22000MHz   |        |
| Average Power  | ≤15W  |        |
| Impedance      | 50Ω   |        |

## 3. Mechanical Specifications

| Parameter      | Specifications  | Remark |
|----------------|---|--------|
| Dimensions     | 35.0 x 25.0 x 10.0 mm<br>( Not including the tuning screws and connectors ) |        |
| Connector Type | SMA-female  |        |
| Surface Finish | Black Painting  |        |

## 4. Temperature Specifications

| Parameter               | Specifications | Remark |
|-------------------------|----------------|--------|
| Operational Temperature | -40 to +80 °C  |        |
| Storage Temperature     | -55 to +85 °C  |        |

*Professional manufacturer of  
passive microwave components*

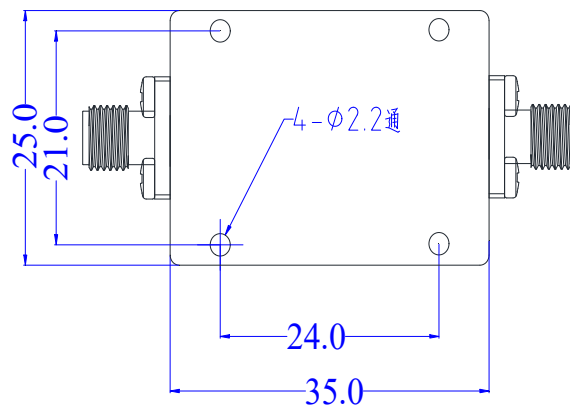
DN: CN0243-Aug./11th/2020

Technical Specifications

**5.Outline Drawing ( $\pm 0.5\text{mm}$ )**



**CONCEPT**



6.Test Curve

