



1. Feature

- ▶ High Performance
- ▶ High Reliability
- ▶ RoHS Compliant

Highpass Filter

Part No: CHF06000M24000A01

Date: May.20th.2022

Revision No: Preliminary

2. Electrical Specifications

Parameter	Specification	Remark
Pass Band	6000-24000MHz	
Rejection	≥60dB@DC-5400MHz	
Insertion loss	≤2.0dB	
VSWR	≤1.8	
Average Power	≤15W	
Impedance	50Ω	

3. Mechanical Specifications

Parameter	Specifications	Remark
Dimensions	35.0 x 22.0 x 10.0 mm (Not including the tuning screws and connectors)	
Connector Type	SMA-female	
Surface Finish	Black Painting	

4. Temperature Specifications

Parameter	Specifications	Remark
Operational Temperature	0 to +60 °C	
Storage Temperature	-45 to +85 °C	

*Professional manufacturer of
passive microwave components*

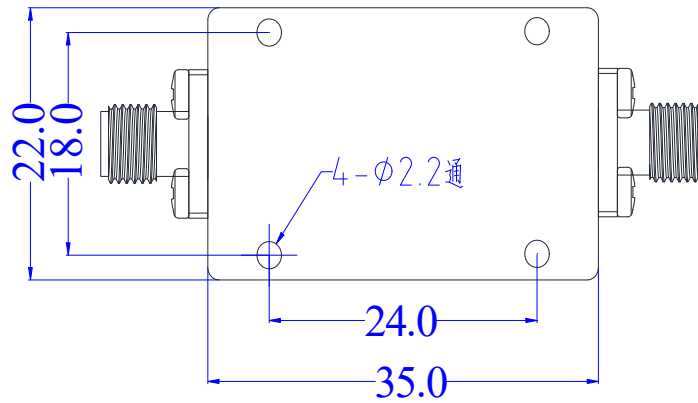
DN: CN0141-May./20th/2022

Technical Specifications

5.Outline Drawing ($\pm 0.3\text{mm}$)



CONCEPT



6.Test Curve

