



## 1. Feature

- ▶ High Performance
- ▶ High Reliability
- ▶ RoHS Compliant

**Bandpass Filter**

**Part No: CHF08000M18000A01**

**Date: July.26<sup>th</sup>.2017**

**Revision No: Preliminary**

## 2. Electrical Specifications

Parameter	Specification	Remark
Pass band	8000-18000MHz	
Rejection	$\geq 50\text{dB@DC-6.8GHZ}$	
Insertion loss	$\leq 2.0\text{dB}$	
VSWR	$\leq 2.0$	
Average Power	$\leq 5\text{W}$	
Impedance	50 $\Omega$	

## 3. Mechanical Specifications

Parameter	Specifications	Remark
Dimensions	27.0 x 23.0 x 12.0 mm ( Not including the tuning screws and Connectors )	
Connector Type	SMA- female	
Surface Finish	Black Painting	

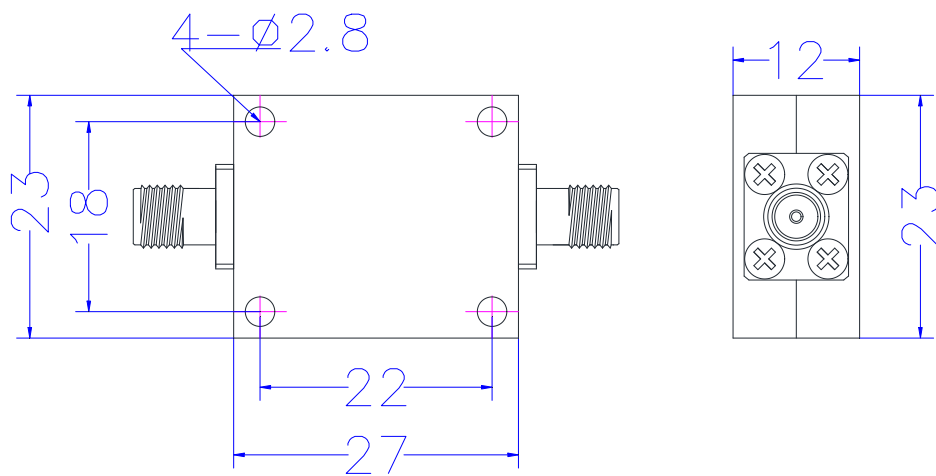
## 4. Temperature Specifications

Parameter	Specifications	Remark
Operational Temperature	-25 to +65 °C	
Storage Temperature	-55 to +85 °C	

**4. Outline Drawing ( $\pm 0.5\text{mm}$ )**



**CONCEPT**



## 6. Test Curve



**CONCEPT**

