



1. Feature

- ▶ High Performance
- ▶ High Reliability
- ▶ RoHS Compliant

Lowpass Filter

Part No:CLF00000M01250A01

Date: Dec.3th.2021

Revision No: Preliminary

2. Electrical Specifications

Parameter	Specification	Remark
Pass Band	DC-1250MHz	
Rejection	≥50dB@1560-3300MHz	
Insertion Loss	≤1.0dB	
VSWR	≤1.5	
Average Power	≤40W	
Impedance	50Ω	

3. Mechanical Specifications

Parameter	Specifications	Remark
Dimensions	70.0 x 32.0 x 10.0 mm (Not including the tuning screws and connectors)	
Connector Type	SMA-female	
Surface Finish	Black Painting	

4. Temperature Specifications

Parameter	Specifications	Remark
Operational Temperature	0 to +60 °C	
Storage Temperature	-55 to +85 °C	

*Professional manufacturer of
passive microwave components*

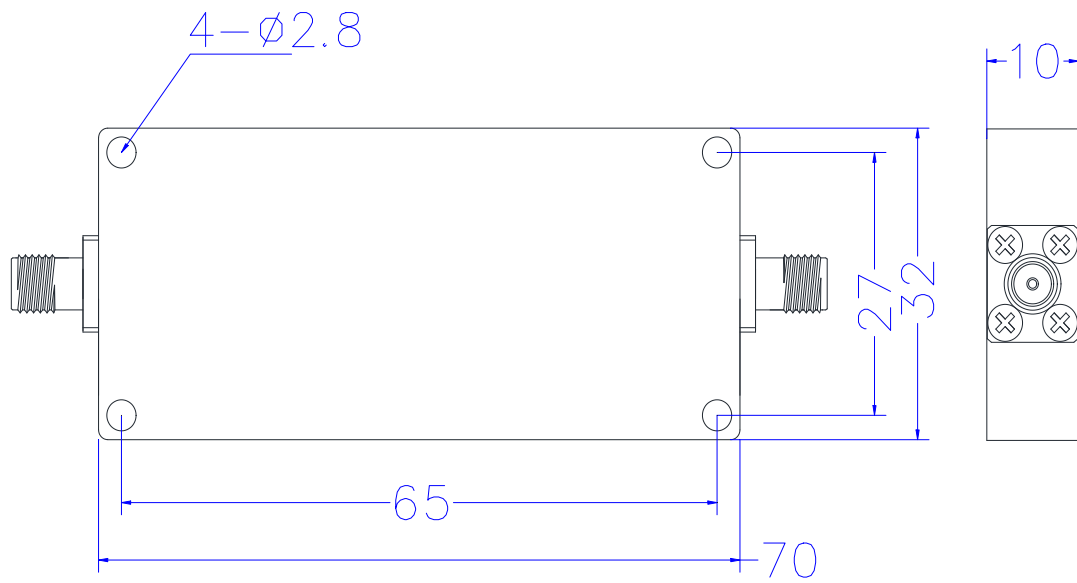
DN: CN0305-Dec./3th/2021

Technical Specifications

5.Outline Drawing ($\pm 0.3\text{mm}$)



CONCEPT



6. Test Curve

