

## 1. Feature

- ▶ High Performance
- ▶ High Reliability
- ▶ RoHS Compliant

Lowpass Filter

Part No: CLF00000M02700T07A

Date: Feb.26<sup>th</sup>.2020

Revision No: Preliminary

## 2. Electrical Specifications

Parameter	Specification	Remark
Pass Band	DC-2700MHz	
Rejection	≥50dB@4000-8000MHz	
Insertion loss	≤1.5dB	
VSWR	≤1.5	
Average Power	≤10W	
Impedance	50Ω	

## 3. Mechanical Specifications

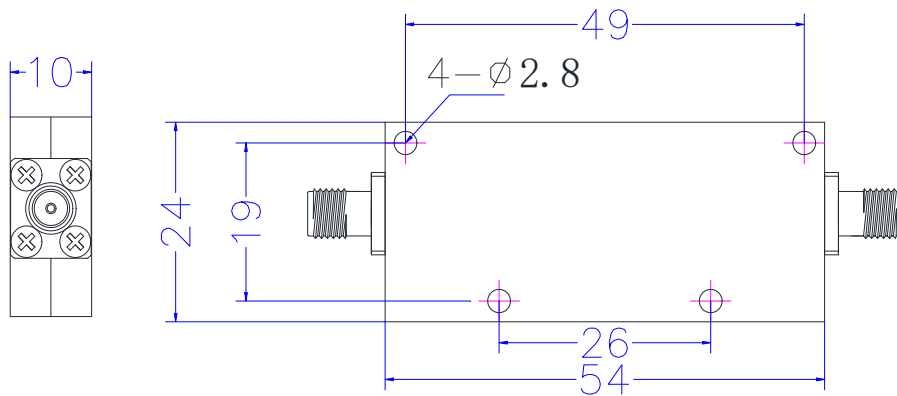
Parameter	Specifications	Remark
Dimensions	54.0 x 24.0 x 10.0 mm ( Not including the tuning screws and connectors )	
Connector Type	SMA-female	
Surface Finish	Black Painting	

## 4. Temperature Specifications

Parameter	Specifications	Remark
Operational Temperature	0 to +60 °C	
Storage Temperature	-55 to +85 °C	



**5.Outline Drawing ( $\pm 0.5\text{mm}$ )**



6.Test Curve

