



1. Feature

- ▶ High Performance
- ▶ High Reliability
- ▶ RoHS Compliant

Lowpass Filter

Part No: CLF00000M08000A01

Date: Dec.20th.2018

Revision No: Preliminary

2. Electrical Specifications

Parameter	Specification	Remark
Passband	DC-8000MHz	
Insertion loss	≤0.35dB	
VSWR	≤1.5	
Rejection	≥25dB@9600MHz ≥55dB@15000MHz	
Average Power	≤50W	
Impedance	50Ω	

3. Mechanical Specifications

Parameter	Specifications	Remark
Dimensions	Φ17.5mm , L :51.2mm	
Connector Type	SMA-male & SMA-female	
Surface Finish	Black Painting	

4. Temperature Specifications

Parameter	Specifications	Remark
Operational Temperature	-20 to +70 °C	
Storage Temperature	-45 to +85 °C	

*Professional manufacturer of
passive microwave components*

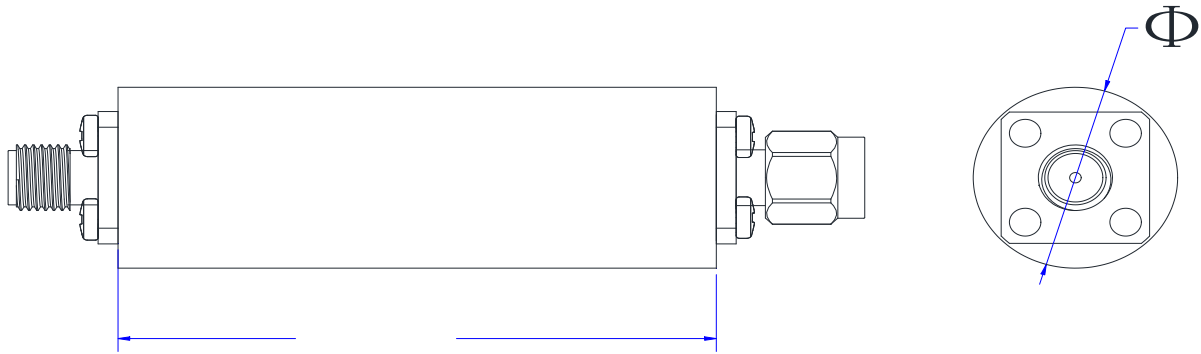
DN: CN0510-Sep./5th/2019

Technical Specifications

5. Outline Drawing ($\pm 0.3\text{mm}$)



CONCEPT



成都康普信源科技有限公司

Chengdu Concept Microwave Technology CO.,Ltd

No.666 ,Jinfenghuang Road , CREC Industrial Park , Jinniu District , Chengdu , China

E-mail: sales@concept-mw.com

<http://www.concept-mw.com>

Page 2 of 2