



1. Feature

- ▶ High Performance
- ▶ High Reliability
- ▶ RoHS Compliant

Lowpass Filter

Part No: CLF00000M23600A01

Date: April.13th.2016

Revision No: Preliminary

2. Electrical Specifications

Parameter	Specification	Remark
3dB Cutoff Frequency	23.6GHz	
Passband	DC-22.5GHz	
I.L in Passband	≤1.3dB (DC-22.5GHz)	
Return Loss	≥12dB	
Rejection	≥25dB@27.7GHz ; ≥40dB@33GHz	
Average Power	20W	
Impedance	50 OHMS	

3. Environmental Specifications

Parameter	Specifications	Remark
Operating Environment	Indoor Application -40°C to +70°C	

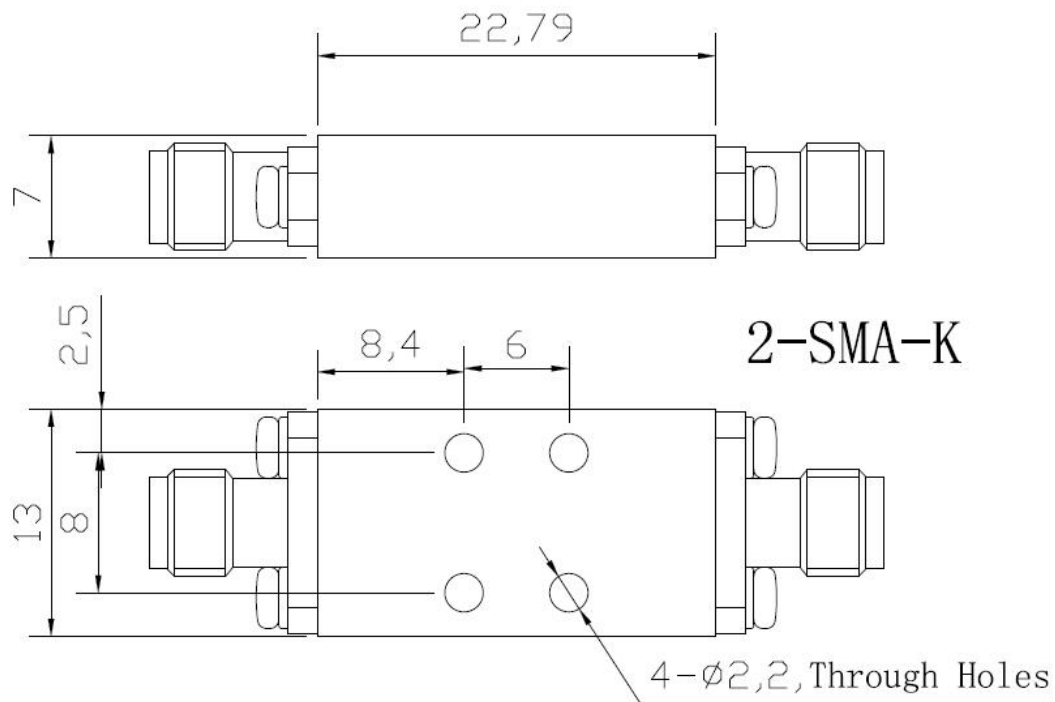
4. Mechanical Specifications

Parameter	Specifications	Remark
Dimensions	22.79x13.0x7.0mm (Not including the connectors and screws)	
Connector Type	SMA-Female	
Surface Finish	Silver Plated	

5. Outline Drawing ($\pm 0.3\text{mm}$)



CONCEPT



6. Simulation

