



1. Feature

- ▶ High Performance
- ▶ High Reliability
- ▶ RoHS Compliant

Notch Filter

Part No: CNF00777M00787Q06A

Date: Jan.13th.2021

Revision No: Preliminary

2. Electrical Specifications

Parameter	Specification	Remark
Notch Band	777-787MHz	
Rejection	≥45dB	
Passband	DC-762MHz & 802-2000MHz	
Insertion loss	≤2.0dB	
VSWR	≤2.0	
Average Power	≤20W	
Impedance	50Ω	

3. Mechanical Specifications

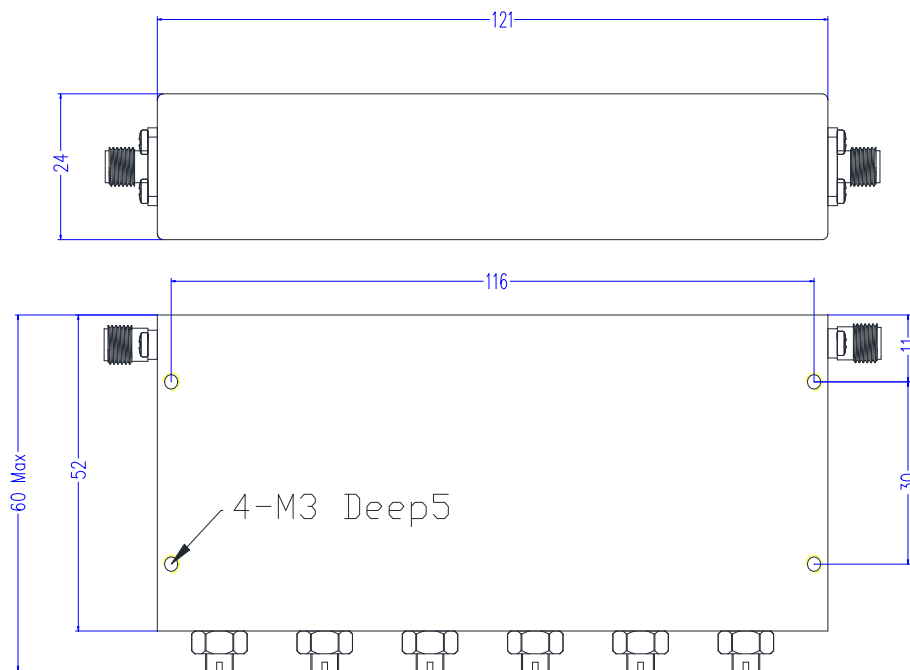
Parameter	Specifications	Remark
Dimensions	121.0 x 52.0 x 24.0 mm (Not including the tuning screws and connectors)	
Connector Type	SMA- female	
Surface Finish	Black Painting	

4. Temperature Specifications

Parameter	Specifications	Remark
Operational Temperature	0 to +60 °C	
Storage Temperature	-55 to +85 °C	



5. Outline Drawing ($\pm 0.5\text{mm}$)



6. Test Curve

