



1. Feature

- ▶ High Performance
- ▶ High Reliability
- ▶ RoHS Compliant

Notch Filter

Part No: CNF01427M01447Q08A

Date: Aug.10th.2021

Revision No: Preliminary

2. Electrical Specifications

Parameter	Specification	Remark
Notch Band	1427.9-1447.9MHz	
Rejection	≥40dB	
Passband	DC-1412.9MHz & 1462.9-3000MHz	
Insertion loss	≤2.0dB	
VSWR	≤2.0	
Average Power	≤10W	
Impedance	50Ω	

3. Mechanical Specifications

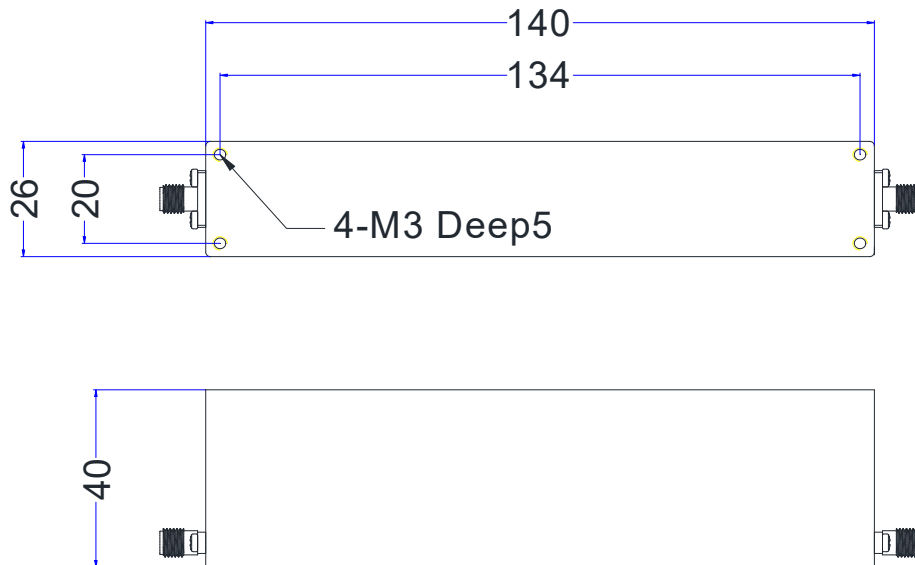
Parameter	Specifications	Remark
Dimensions	140.0 x 40.0 x 26.0 mm (Not including the tuning screws and connectors)	
Connector Type	SMA- female (Stainless Steel)	
Surface Finish	Black Painting	

4. Temperature Specifications

Parameter	Specifications	Remark
Operational Temperature	0 to +50 °C	
Storage Temperature	-55 to +85 °C	



5. Outline Drawing ($\pm 0.5\text{mm}$)



6. Test Curve

