



1. Feature

- ▶ High Performance
- ▶ High Reliability
- ▶ RoHS Compliant

Notch Filter

Part No: CNF01447M01462Q08A

Date: March.24th.2020

Revision No: Preliminary

2. Electrical Specifications

Parameter	Specification	Remark
Notch Band	1447.9-1462.9MHz	
Rejection	≥40dB	
Passband	DC-1432.9MHz & 1477.9-3000MHz	
Insertion loss	≤2.0dB	
VSWR	≤2.0	
Average Power	≤20W	
Impedance	50Ω	

3. Mechanical Specifications

Parameter	Specifications	Remark
Dimensions	140.0 x 40.0 x 26.0 mm (Not including the tuning screws and connectors)	
Connector Type	SMA- female (Stainless Steel)	
Surface Finish	Black Painting	

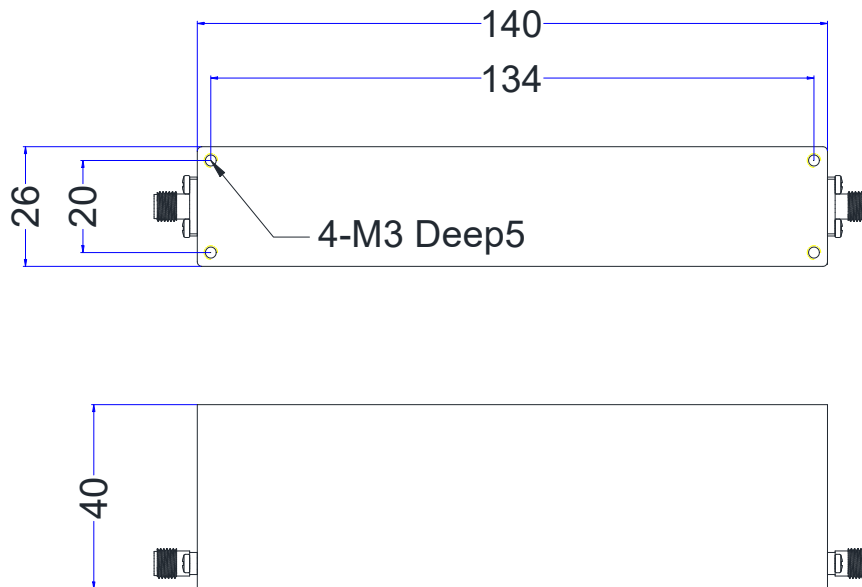
4. Temperature Specifications

Parameter	Specifications	Remark
Operational Temperature	0 to +50 °C	
Storage Temperature	-55 to +85 °C	

5. Outline Drawing ($\pm 0.5\text{mm}$)



CONCEPT



6. Test Curve

