



## 1. Feature

- ▶ High Performance
- ▶ High Reliability
- ▶ RoHS Compliant

**Notch Filter**

**Part No: CNF01880M01920Q08A**

**Date: Sep.5<sup>th</sup>.2019**

**Revision No: Preliminary**

## 2. Electrical Specifications

Parameter	Specification	Remark
Notch Band	1880-1920MHz	
Rejection	≥40dB	
Passband	DC-1865MHz & 1935-3000MHz	
Insertion loss	≤2.0dB	
VSWR	≤2.0	
Average Power	≤10W	
Impedance	50Ω	

## 3. Mechanical Specifications

Parameter	Specifications	Remark
Dimensions	140.0 x 40.0 x 26.0 mm ( Not including the tuning screws and connectors )	
Connector Type	SMA- Female ( Stainless Steel )	
Surface Finish	Black Painting	

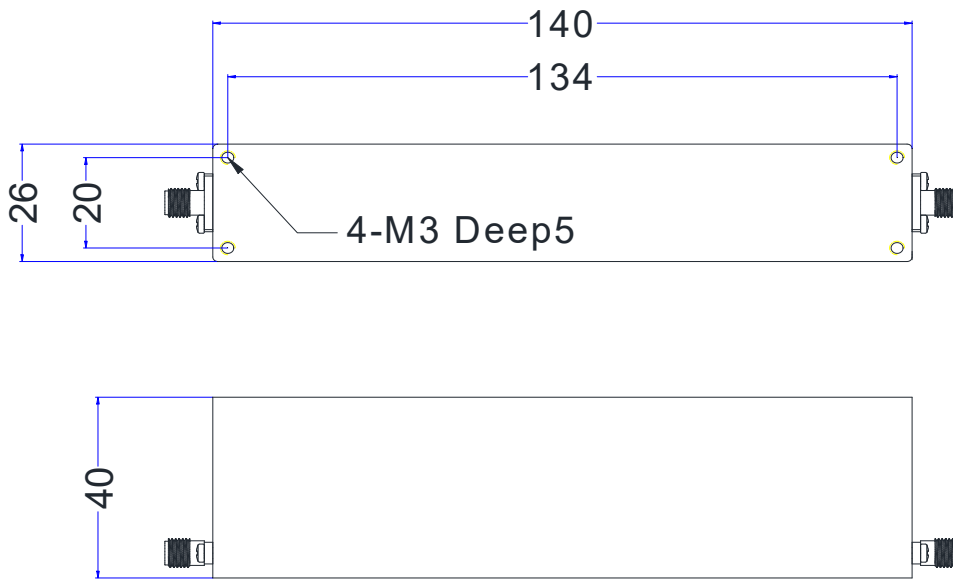
## 4. Temperature Specifications

Parameter	Specifications	Remark
Operational Temperature	0 to +50 °C	
Storage Temperature	-55 to +85 °C	

**5.Outline Drawing ( $\pm 0.5\text{mm}$ )**



**CONCEPT**



## 6. Test Curve



**CONCEPT**

