



## 1. Feature

- ▶ High Performance
- ▶ High Reliability
- ▶ RoHS Compliant

**Notch Filter**

**Part No: CNF01920M01980Q08A**

**Date: Nov.22<sup>th</sup>.2019**

**Revision No: Preliminary**

## 2. Electrical Specifications

Parameter	Specification	Remark
Notch Band	1920-1980MHz	
Rejection	≥30dB	
Passband	DC-1900MHz & 2010-3000MHz	
Insertion loss	≤2.0dB	
VSWR	≤2.0	
Average Power	≤10W	
Impedance	50Ω	

## 3. Mechanical Specifications

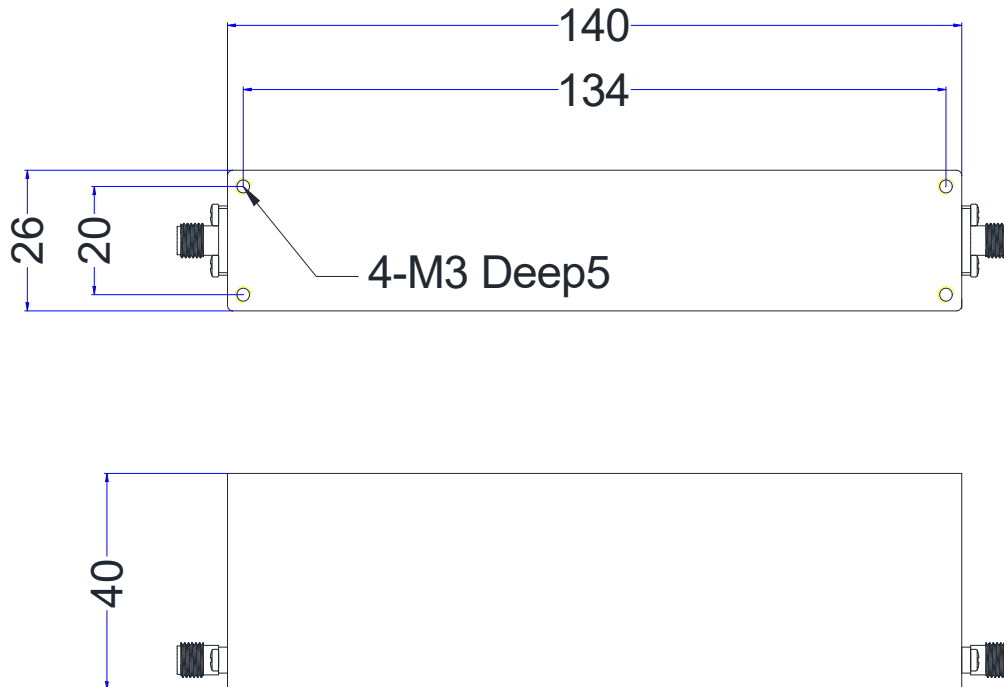
Parameter	Specifications	Remark
Dimensions	140.0 x 40.0 x 26.0 mm ( Not including the tuning screws and connectors )	
Connector Type	SMA- female ( Stainless Steel )	
Surface Finish	Black Painting	

## 4. Temperature Specifications

Parameter	Specifications	Remark
Operational Temperature	0-60 °C	
Storage Temperature	-55 to +85 °C	



**5.Outline Drawing ( $\pm 0.5\text{mm}$ )**



6.Test Curve

