



1. Feature

- ▶ High Performance
- ▶ High Reliability
- ▶ RoHS Compliant

Notch Filter

Part No: CNF02110M02155Q08A

Date: Sep.15th.2020

Revision No: Preliminary

2. Electrical Specifications

Parameter	Specification	Remark
Notch Band	2110-2155MHz	
Rejection	≥40dB	
Passband	DC-2095MHz & 2170-4200MHz	
Insertion Loss	≤1.8dB	
VSWR	≤2.0	
Average Power	≤20W	
Impedance	50Ω	

3. Mechanical Specifications

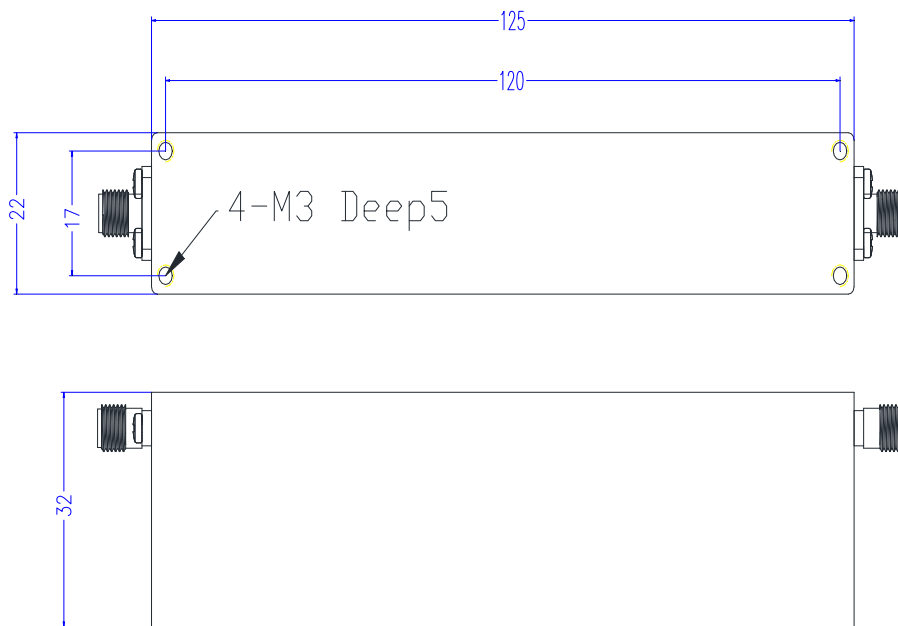
Parameter	Specifications	Remark
Dimensions	125.0 x 32.0 x 22.0 mm (Not including the tuning screws and connectors)	
Connector Type	SMA-female	
Surface Finish	Black Painting	

4. Temperature Specifications

Parameter	Specifications	Remark
Operational Temperature	0 to +60 °C	
Storage Temperature	-55 to +85 °C	



5.Outline Drawing ($\pm 0.5\text{mm}$)



6.Test Curve

