



## 1. Feature

- ▶ High Performance
- ▶ High Reliability
- ▶ RoHS Compliant

**Notch Filter**

**Part No: CNF03300M03800Q10A**

**Date: Jan.5<sup>th</sup>.2021**

**Revision No: Preliminary**

## 2. Electrical Specifications

Parameter	Specification	Remark
Notch Band	3300-3800MHz	
Rejection	≥45dB	
Passband	DC-3225MHz & 3875-8000MHz	
Insertion loss	≤3.0dB	
VSWR	≤2.0	
Average Power	≤10W	
Impedance	50Ω	

## 3. Mechanical Specifications

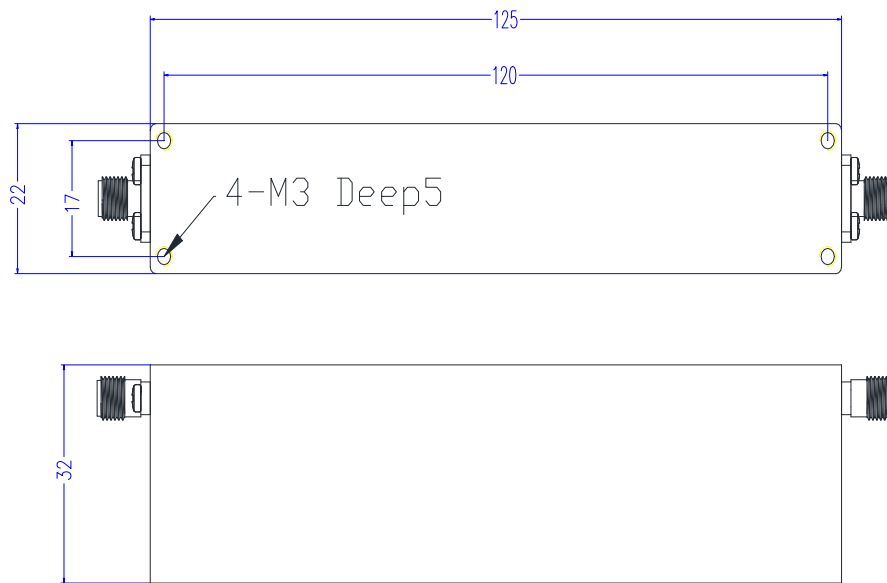
Parameter	Specifications	Remark
Dimensions	125.0 x 32.0 x 22.0 mm ( Not including the tuning screws and connectors )	
Connector Type	SMA- female ( Stainless Steel )	
Surface Finish	Black Painting	

## 4. Temperature Specifications

Parameter	Specifications	Remark
Operational Temperature	0 to +60 °C	
Storage Temperature	-55 to +85 °C	



**5. Outline Drawing ( $\pm 0.5\text{mm}$ )**



6. Test Curve

