

1. Feature

- ▶ High Performance
- ▶ High Reliability
- ▶ RoHS Compliant

Notch Filter

Part No: CNF04400M05000A01

Date: Feb.10th.2019

Revision No: Preliminary

2. Electrical Specifications

Parameter	Specification	Remark
Notch Band	4400-5000MHz	
Rejection	≥80dB	
Passband	DC-4340MHz & 5060-8000MHz	
Insertion loss	≤3.0dB	
VSWR	≤2.0	
Average Power	≤10W	
Impedance	50Ω	

3. Mechanical Specifications

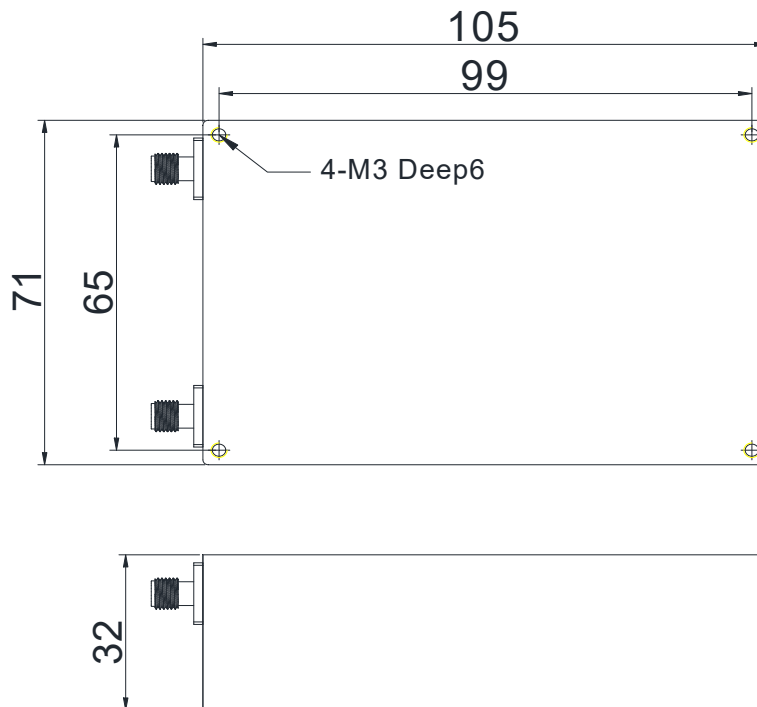
Parameter	Specifications	Remark
Dimensions	105.0 x 71.0 x 32.0 mm (Not including the tuning screws and connectors)	
Connector Type	SMA-female	
Surface Finish	Black Painting	

4. Temperature Specifications

Parameter	Specifications	Remark
Operational Temperature	0 to +50 °C	
Storage Temperature	-55 to +85 °C	



5.Outline Drawing ($\pm 0.5\text{mm}$)



6.Test Curve

