



1. Feature

- ▶ High Performance
- ▶ High Reliability
- ▶ RoHS Compliant

Power Divider

Part No: CPD00000M18000A02A

Date: Feb.18th.2019

Revision No: Preliminary

2. Electrical Specifications

Parameter	Specification	Remark
Frequency Range	DC-18000MHz	
Insertion loss	$\leq 6 \pm 1.5$ dB	
VSWR	≤ 1.60	
Amplitude Balance	$\leq \pm 0.8$ dB	
Phase Balance	$\leq \pm 8$ degree	
Average Power	0.5W	
Impedance	50 Ω	

3. Mechanical Specifications

Parameter	Specifications	Remark
Dimensions	28x24.2x12mm	
Connector Type	SMA-female	
Surface Finish	TBD	

4. Temperature Specifications

Parameter	Specifications	Remark
Operational Temperature	-40 to +80 °C	
Storage Temperature	-45 to +85 °C	

*Professional manufacturer of
passive microwave components*

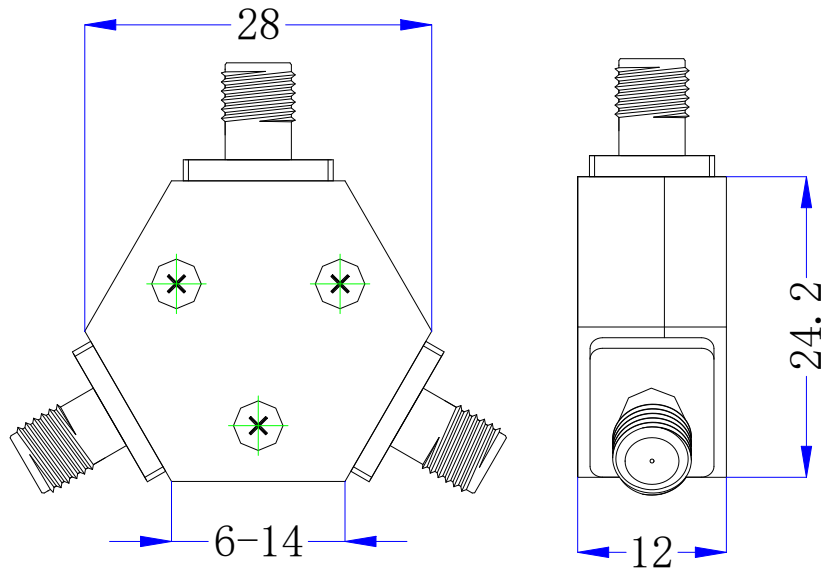
DN: CN0101-Feb./18th/2019

Technical Specifications

5. Outline Drawing ($\pm 0.3\text{mm}$)



CONCEPT



成都康普信源科技有限公司

Chengdu Concept Microwave Technology CO.,Ltd

No.666 ,Jinfenghuang Road , CREC Industrial Park , Jinniu District , Chengdu , China

E-mail: sales@concept-mw.com

<http://www.concept-mw.com>

Page 2 of 3

6. Test Curve

