



1. Feature

- ▶ High Performance
- ▶ High Reliability
- ▶ Customization available

Power Divider

Part No: CPD00134M03700N02

Date: April.9th.2021

Revision No: Preliminary

2. Electrical Specifications

Parameter	Specification	Remark
Frequency Range	134-3700MHz	
Insertion loss	≤2.0dB(Exclusive the 3.0dB Split Loss)	
VSWR	≤1.40 (Input) ≤1.30 (Output)	
Amplitude Balance	≤±0.3dB	
Phase Balance	≤±3degree	
Isolation	≥18dB	
Average Power	20W (Forward) 2W (Reverse)	
Impedance	50Ω	

3. Mechanical Specifications

Parameter	Specifications	Remark
Dimensions	90.0x48.0x20.0mm	
Connector Type	N-female	
Surface Finish	Grey Painting	

4. Temperature Specifications

Parameter	Specifications	Remark
Operational Temperature	-40 to +80 °C	
Storage Temperature	-45 to +85 °C	

成都康普信源科技有限公司

Chengdu Concept Microwave Technology CO.,Ltd

No.666 ,Jinfenghuang Road , CREC Industrial Park , Jinniu District , Chengdu , China

E-mail: sales@concept-mw.com

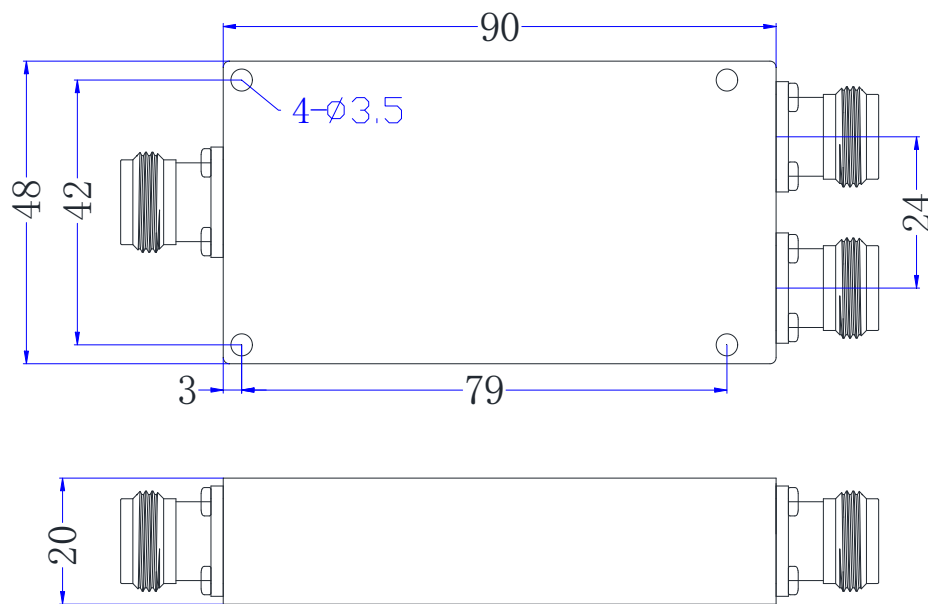
<http://www.concept-mw.com>

Page 1 of 3

5. Outline Drawing ($\pm 0.3\text{mm}$)



CONCEPT



6. Test Curves

