



## 1. Feature

- ▶ High Performance
- ▶ High Reliability
- ▶ RoHS Compliant

Power Divider

Part No: CPD00400M08000A02

Date: July.26<sup>th</sup>.2023

Revision No: Preliminary

## 2. Electrical Specifications

Parameter	Specification	Remark
Frequency Range	400-8000MHz	
Insertion loss	≤1.50dB	
VSWR	≤1.60 (Input from 0.4-0.5GHz)    ≤1.50 (Input from 0.5-8GHz) ≤1.30 (Output)	
Amplitude Balance	≤±0.3dB	
Phase Balance	≤±3degree	
Isolation	≥15dB from 0.4-0.5GHz ≥20dB from 0.5-8GHz	
Average Power	20W ( Forward ) 1W (Reverse)	
Impedance	50Ω	

## 3. Mechanical Specifications

Parameter	Specifications	Remark
Dimensions	56.0x30.0x10.0mm	
Connector Type	SMA-female	
Surface Finish	Grey Painting	

## 4. Temperature Specifications

Parameter	Specifications	Remark
Operational Temperature	-40 to +80 °C	
Storage Temperature	-45 to +85 °C	

成都康普信源科技有限公司

Chengdu Concept Microwave Technology CO.,Ltd

No.666 ,Jinfenghuang Road , CREC Industrial Park , Jinniu District , Chengdu , China

E-mail: [sales@concept-mw.com](mailto:sales@concept-mw.com)

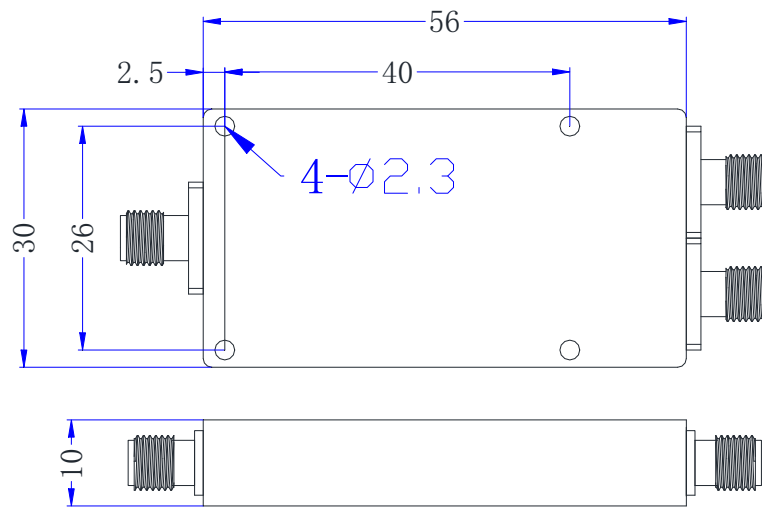
<http://www.concept-mw.com>

Page 1 of 3

**5. Outline Drawing ( $\pm 0.5\text{mm}$ )**



**CONCEPT**



## 6. Test Cures

