



1. Feature

- ▶ High Performance
- ▶ High Reliability
- ▶ RoHS Compliant

Power Divider

Part No: CPD06000M18000A03

Date: July.4th.2018

Revision No: A1

2. Electrical Specifications

Parameter	Specification	Remark
Frequency Range	6000-18000MHz	
Insertion loss	≤1.5dB	
VSWR	≤1.80 (Input) ≤1.60 (Output)	
Amplitude Balance	≤±0.5dB	
Phase Balance	≤±6degree	
Isolation	≥16dB	
Average Power	30W (Forward) 1W (Reverse)	
Impedance	50Ω	

3. Mechanical Specifications

Parameter	Specifications	Remark
Dimensions	51.0x38.0x10.0mm	
Connector Type	SMA-female	
Surface Finish	Grey Painting	

4. Temperature Specifications

Parameter	Specifications	Remark
Operational Temperature	-40 to +80 °C	
Storage Temperature	-45 to +85 °C	

成都康普信源科技有限公司

Chengdu Concept Microwave Technology CO.,Ltd

No.666 ,Jinfenghuang Road , CREC Industrial Park , Jinniu District , Chengdu , China

E-mail: sales@concept-mw.com

<http://www.concept-mw.com>

Page 1 of 2

*Professional manufacturer of
passive microwave components*

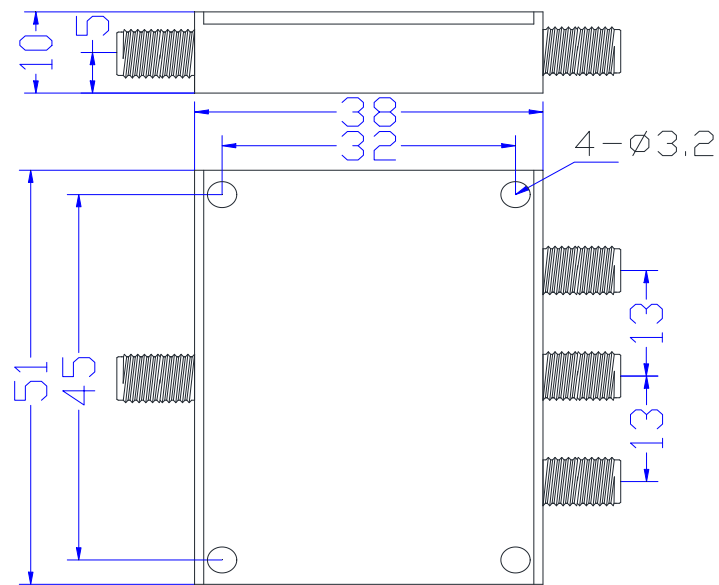
DN: CN0309-July./4th/2018

Technical Specifications

5. Outline Drawing ($\pm 0.3\text{mm}$)



CONCEPT



成都康普信源科技有限公司

Chengdu Concept Microwave Technology CO.,Ltd

No.666 ,Jinfenghuang Road , CREC Industrial Park , Jinniu District , Chengdu , China

E-mail: sales@concept-mw.com

<http://www.concept-mw.com>

Page 2 of 2